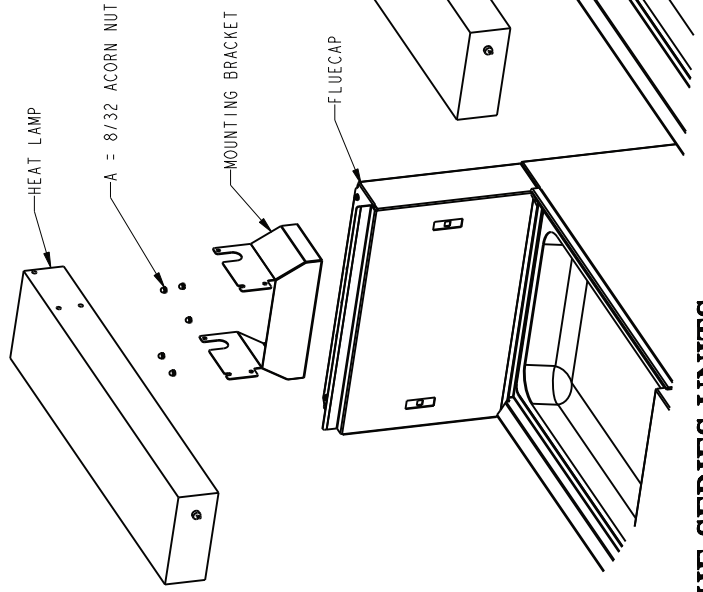


FOOD WARMER ASSEMBLY INSTRUCTIONS



B = SCREWS SUPPLIED WITH HEAT LAMP PACKAGING

HE SERIES UNITS

RE SERIES UNITS

35/45 SERIES UNITS

CF SERIES UNITS

A - INSTRUCTION FOR FLUECAPS WITH STUDS

- A-1. ALIGN HOLES IN MOUNTING BRACKET WITH STUDS IN FLUECAP. WHEN ALIGNED, SECURE THE BRACKET USING SUPPLIED 8-32 ACORN NUTS P/N 8090421
- A-2. ATTACH THE FOOD WARMER TO THE MOUNTING BRACKET USING SCREWS MARKED "B" IN THE FOOD WARMER.
- A-3. BE SURE THE ELECTRICAL CORD IS IN THE NOTCH ON THE MOUNTING BRACKET BEFORE SECURING THE SCREWS.
- A-4. BE SURE ALL SCREWS ARE SECURED.

B - INSTRUCTION FOR FLUECAPS WITHOUT STUDS

- B-1. USE THE MOUNTING BRACKET AS A TEMPLATE AND MARK THE HOLE LOCATIONS
- B-2. DRILL 7/32" DIAMETER HOLES IN THE FLUE CAP.
- NOTE: THE MOUNTING BRACKET MUST BE CENTERED ON THE FLUECAP.
- B-3. SECURE THE MOUNTING BRACKET TO THE FLUECAP USING THE SCREWS (P/N-8090270) AND NUTS (P/N-8090256) PROVIDED. THE NUTS ARE TO BE ATTACHED WITH THE STAR WASHER AGAINST THE METAL
- B-4. ATTACH THE FOOD WARMER TO THE MOUNTING BRACKET USING SCREWS MARKED "B" IN THE FOOD WARMER.
- B-5. BE SURE THE ELECTRICAL CORD IS IN THE NOTCH ON THE MOUNTING BRACKET BEFORE SECURING THE SCREWS.
- B-6. BE SURE ALL SCREWS ARE SECURED.